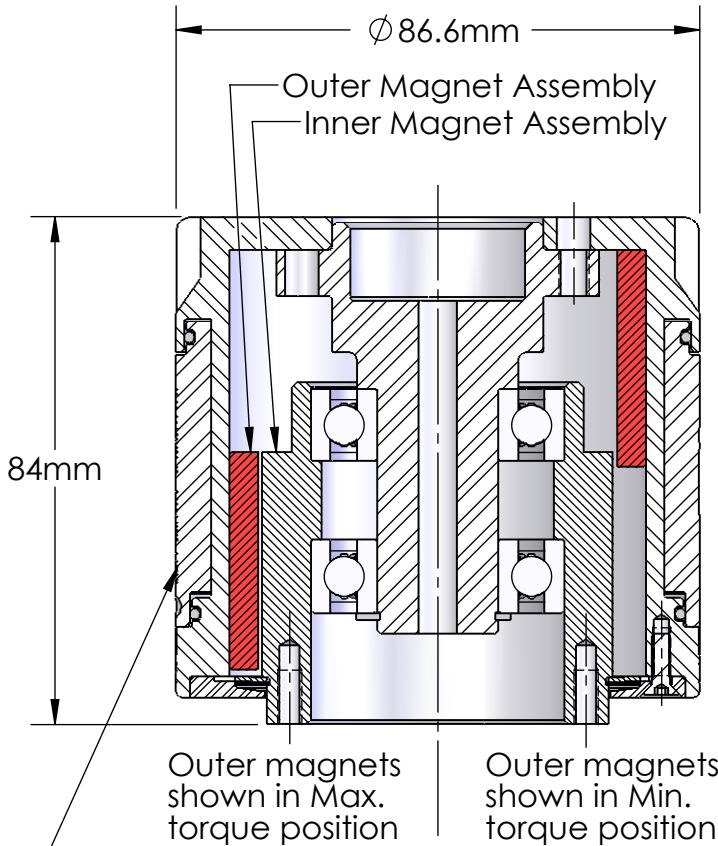
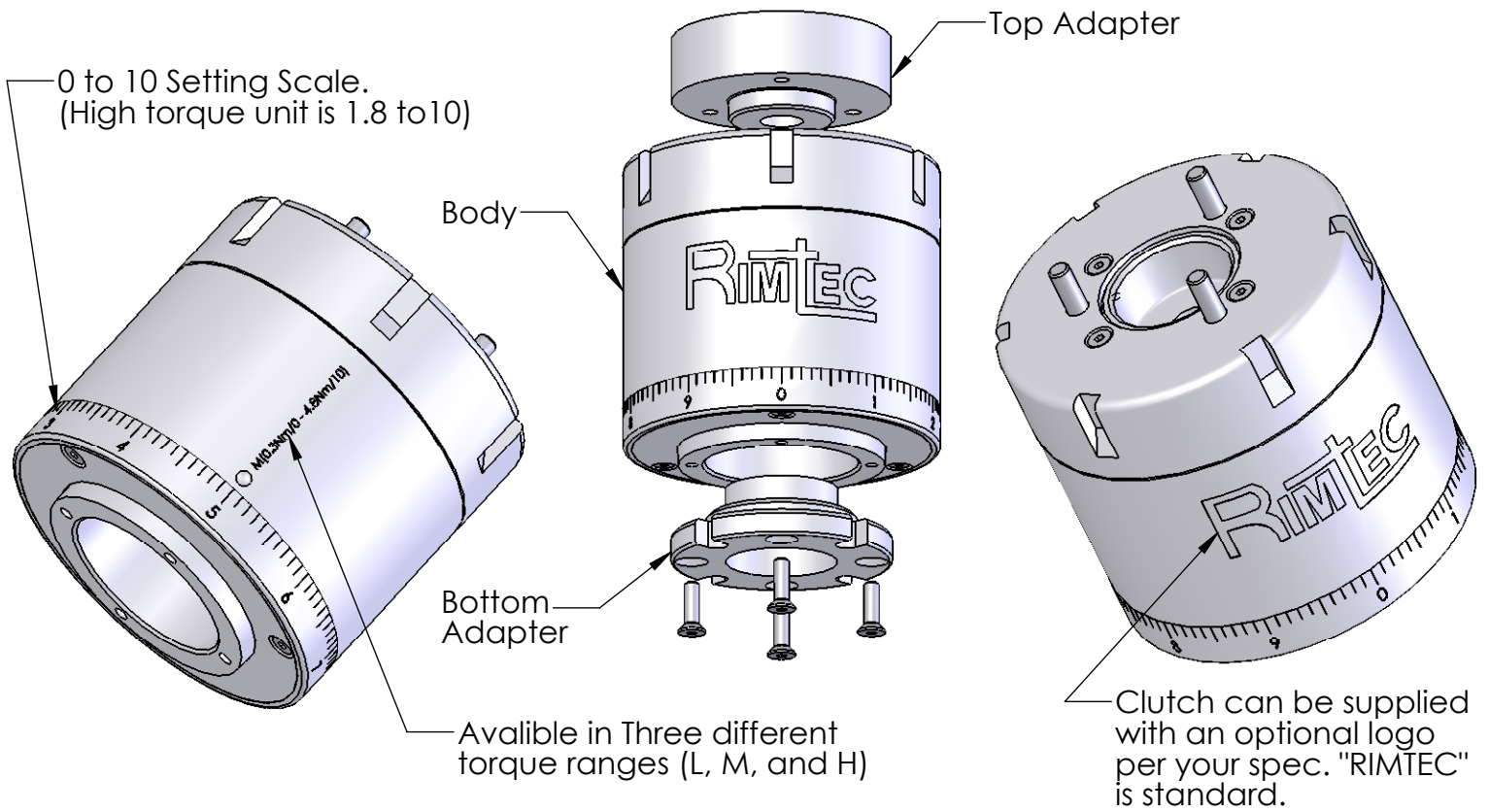




RCC 866 - MAGNETIC CAPPING CLUTCH



- Hysteresis magnet set
- Very smooth disengagement.
- High accuracy.
- Low inertia.
- Stainless steel construction.
- Fully sealed for wash down.
- Toolless torque adjuster.
- Torque adjustment is linear.
- Competitive price and fast delivery.
- Worldwide distributor support network.

Three Torque Ranges:

- 0.2 - 2.8 Nm (2 - 25 lb-in) Low Range
- 0.3 - 4.8 Nm (3 - 42 lb-in) Medium Range
- 2.0 - 5.7 Nm (18 - 50 lb-in) High Range

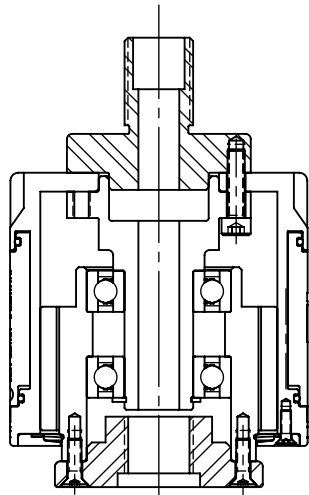
Universal design utilizing different top and bottom adapters to meet connection and function requirements.

Different shaft through hole machining options.

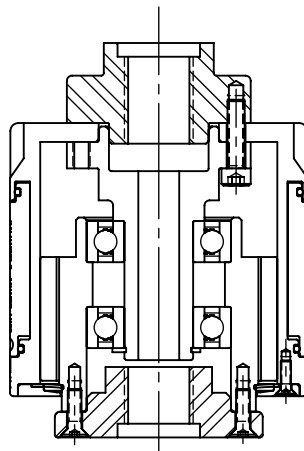
Optional Logo per your specification.

Rotating the toolless torque adjuster results in moving the Outer Magnet Assembly up or down, which changes the magnetic engagement.

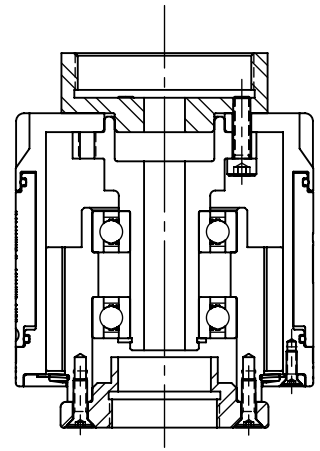
F77, ** !A5; B9H=7 75DD-B; 7@ H7<



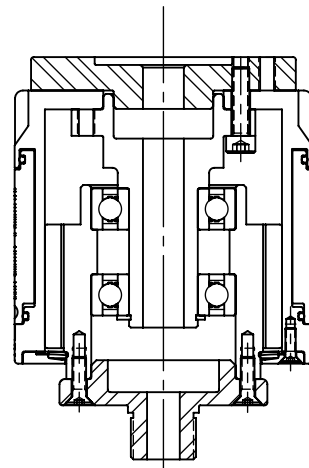
7CB: ÷ %



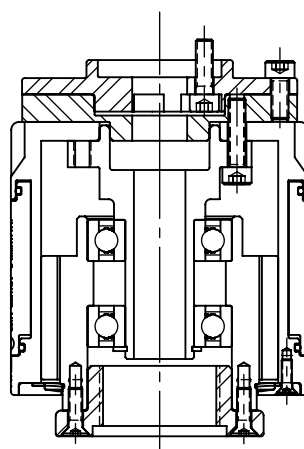
7CB: ÷ &



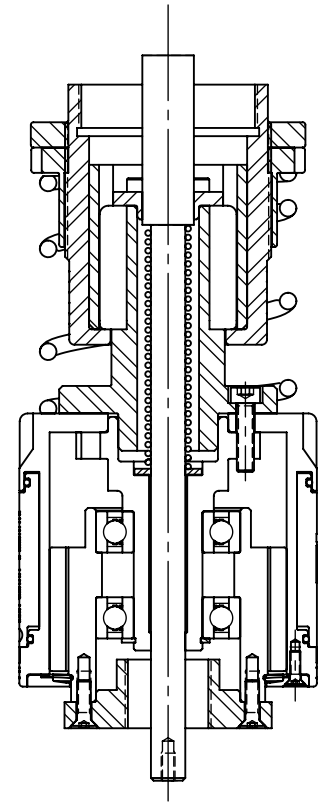
7CB: ÷ '



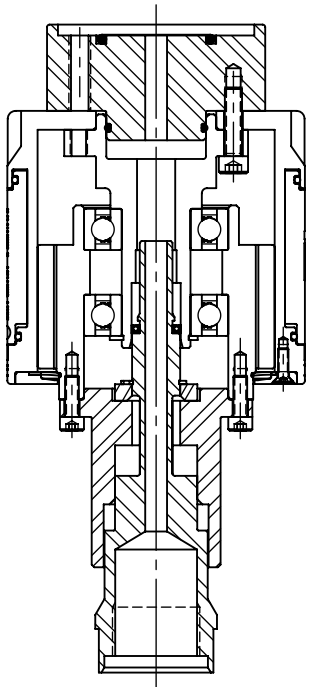
7CB: ÷ (



7CB: ÷)



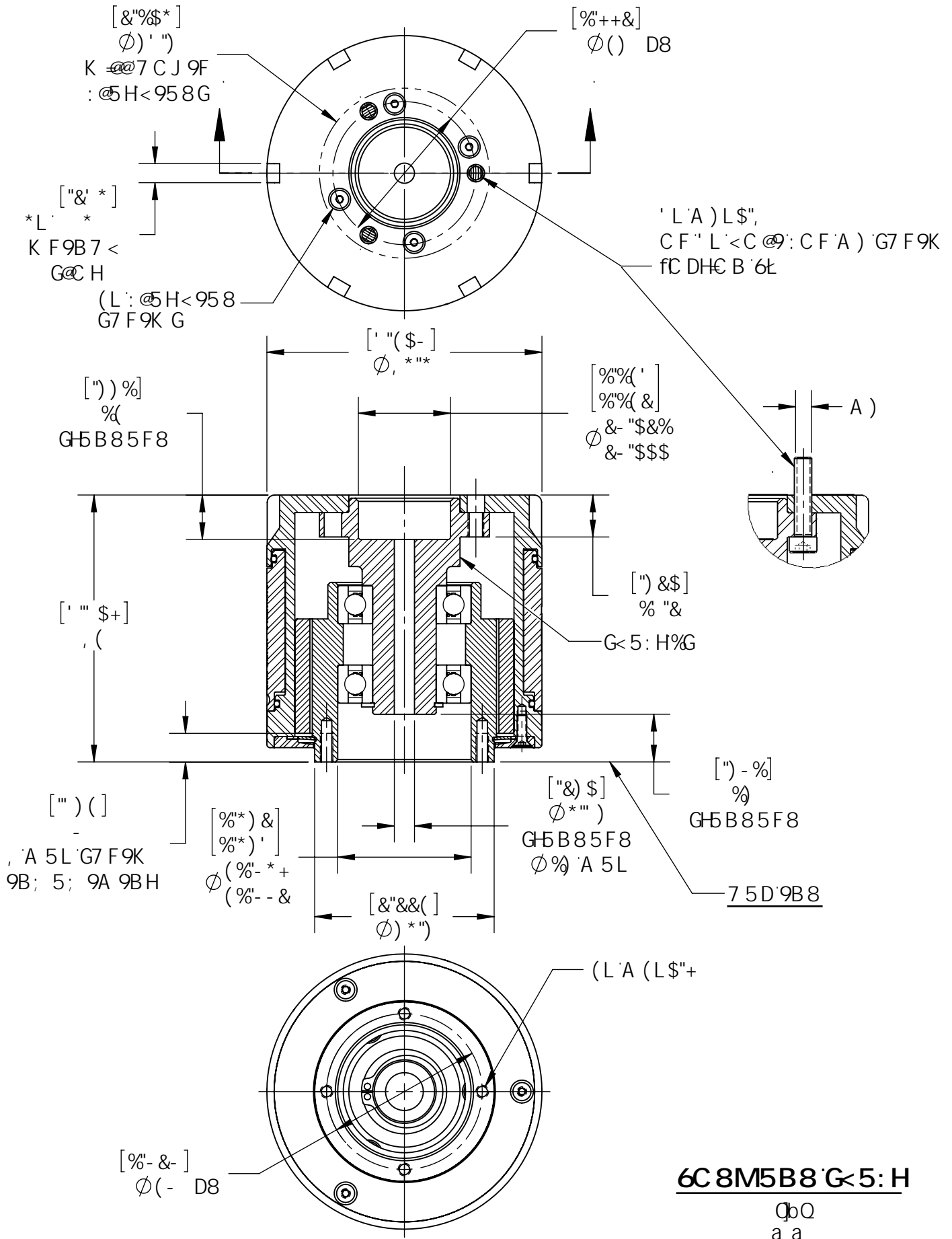
7CB: ÷ *



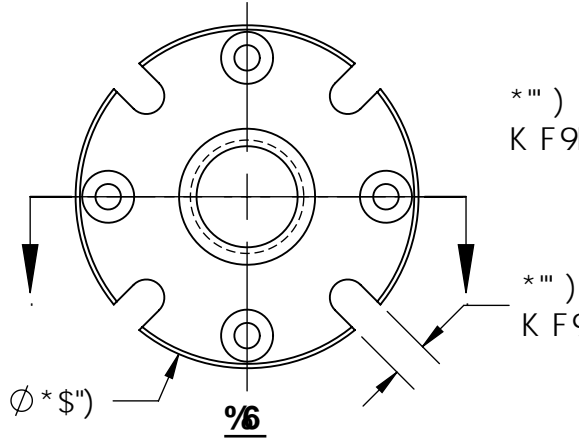
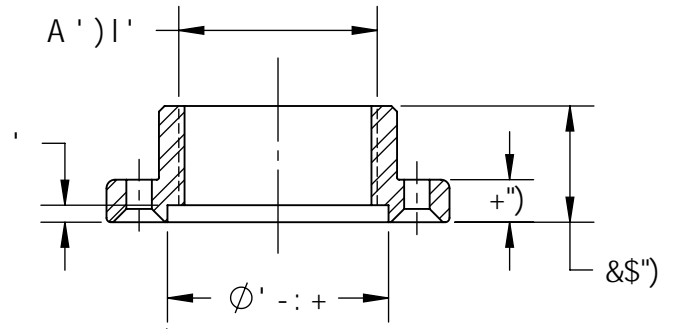
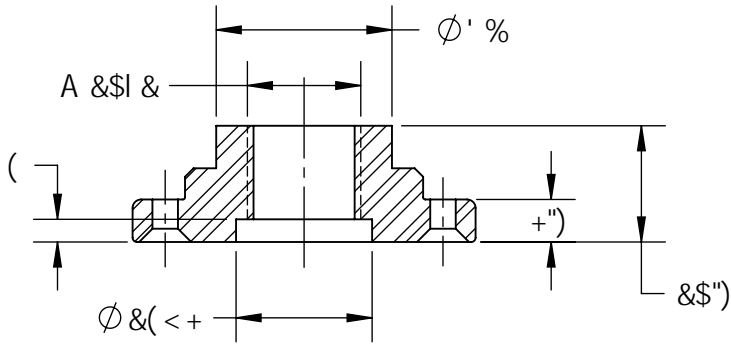
7\$B: ÷ +

F97 9BH7CB: ÷ | F5HCBG

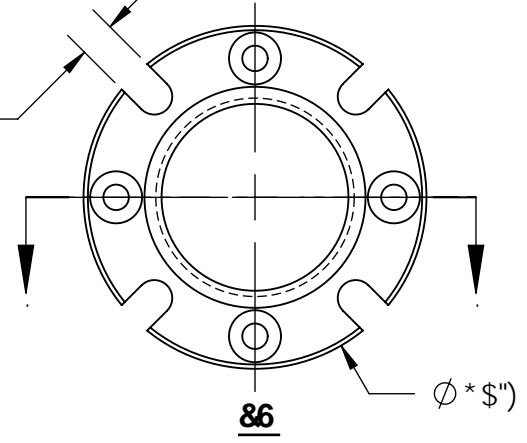
F77, ** !, A5; B9H=7 75DD-B; 7@ H7<



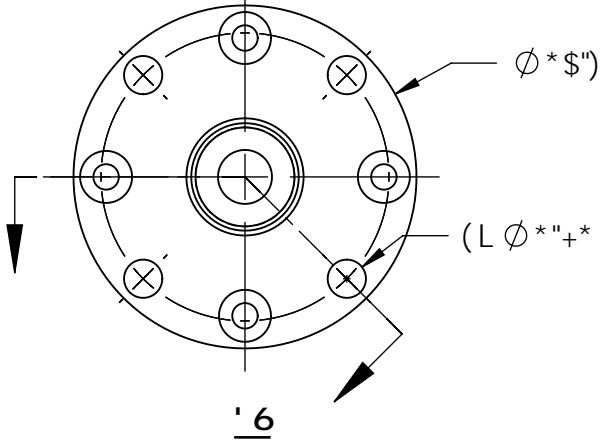
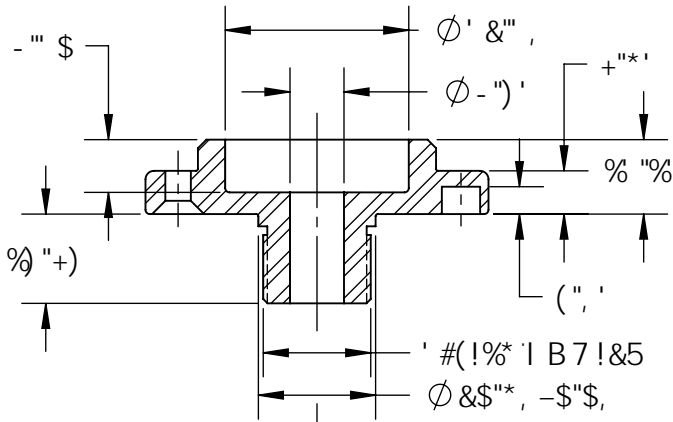
F77, *!*A5; B9H=775DD-B; 7@ H7<



*''')
K F9B7 < : @5 H

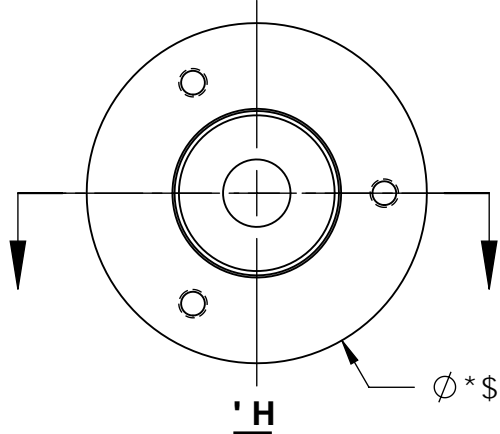
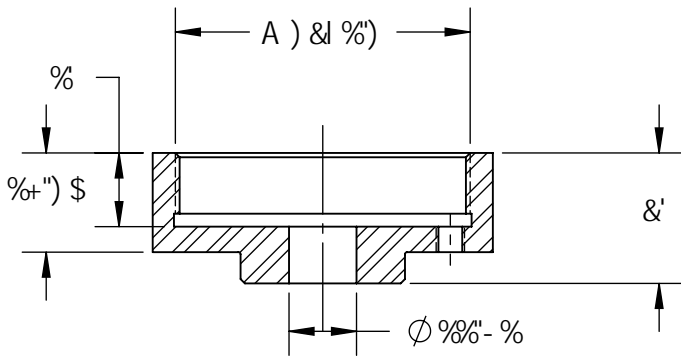
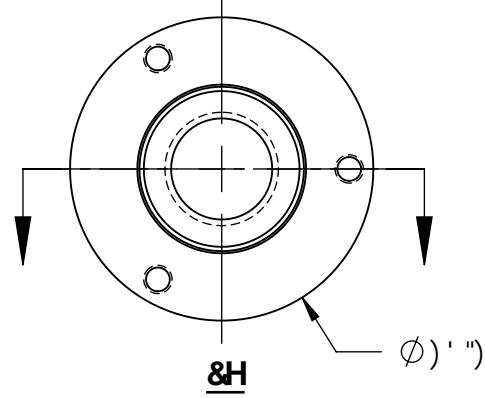
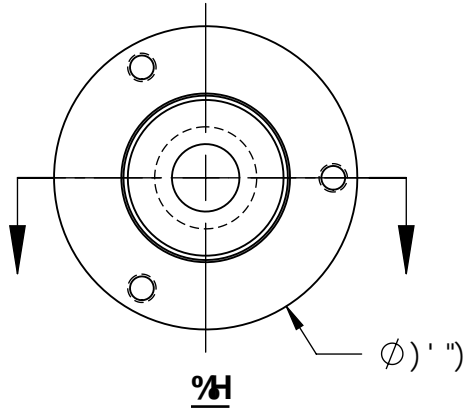
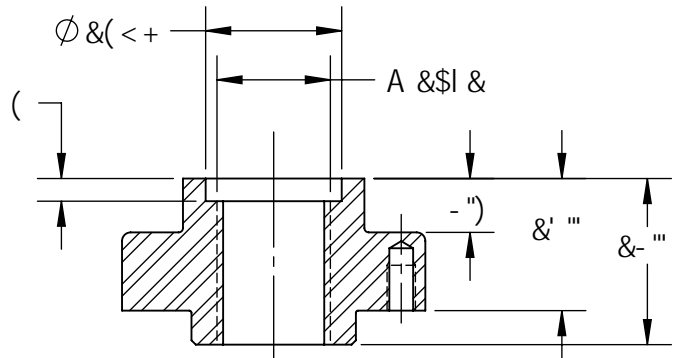
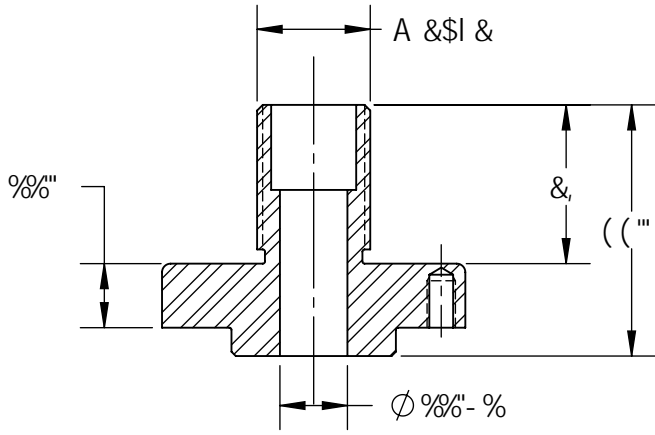


*''')
K F9B7 < 'G@ H



6CHCA 585DHFG

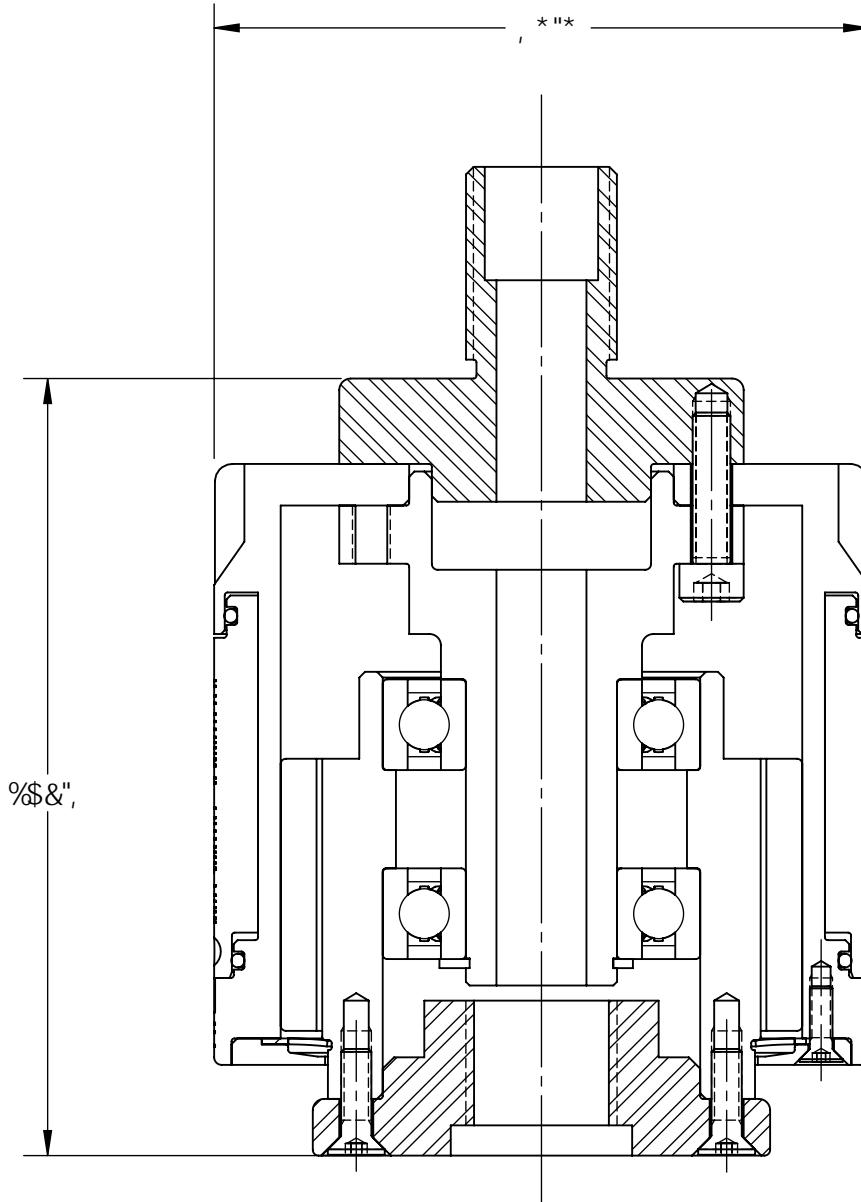
F 77, ** ! A 5; B 9H=7 75DD-B; 7@ H7<



HC D'585DHFG

F 77 , * * ! ' A 5 ; B 9 H = 7 ' 7 5 D D = B ; ' 7 @ H 7 <

8 C 7 " F 7 7 , * * ! \$, \$ % \$ '



7 C B : = I F 5 H C B %

& % G i @ a V U f X ' F c U X Z 5 X X] c b z @ * \$ % \$ % z I G 5
9 ! a U] . \ Y ' d 4 F] a h Y W 7 c f d c f U h c b " W c a

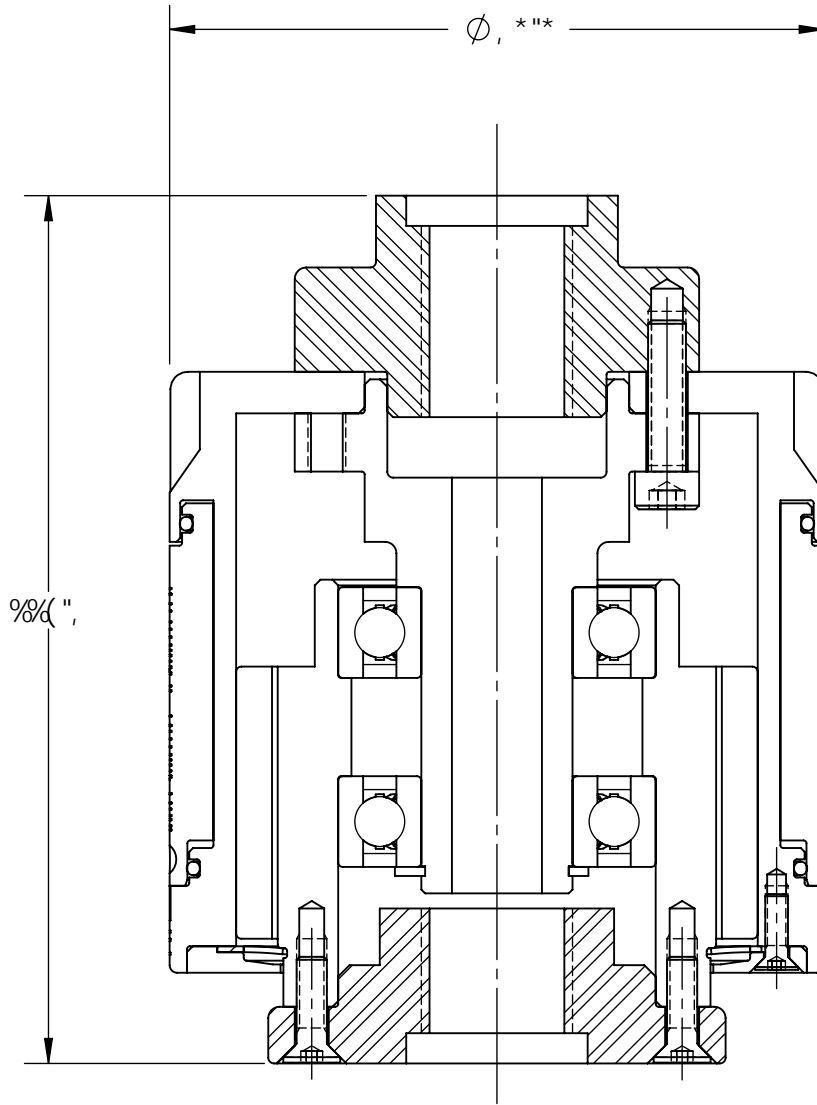
H b " : f Y Y ; + + ! F A H 9 7 ' f] + + ! (+ ! * , ' & L
H " * * \$ " * & , " \$ \$ ' * " : " * * \$ " * & , " \$ \$ (%

D U [Y ;

RIMTEC EQTRQTCVKQP
,, , E q 0 & [] [| a e } B {

F 77 , * * ! ' A 5 ; B 9 H = 7 ' 7 5 D D = B ; ' 7 @ H 7 <

8 C 7 " F 7 7 , * * ! \$, \$ % & ' "



7 C B : = I F 5 H C B ' &

& % G @ a V U f X ' F c U X Z 5 X X] c b z @ * \$ % \$ % z I G 5
9 ! a U] . \ Y ' d 4 F] a H Y W 7 c f d c f U h c b " W c a

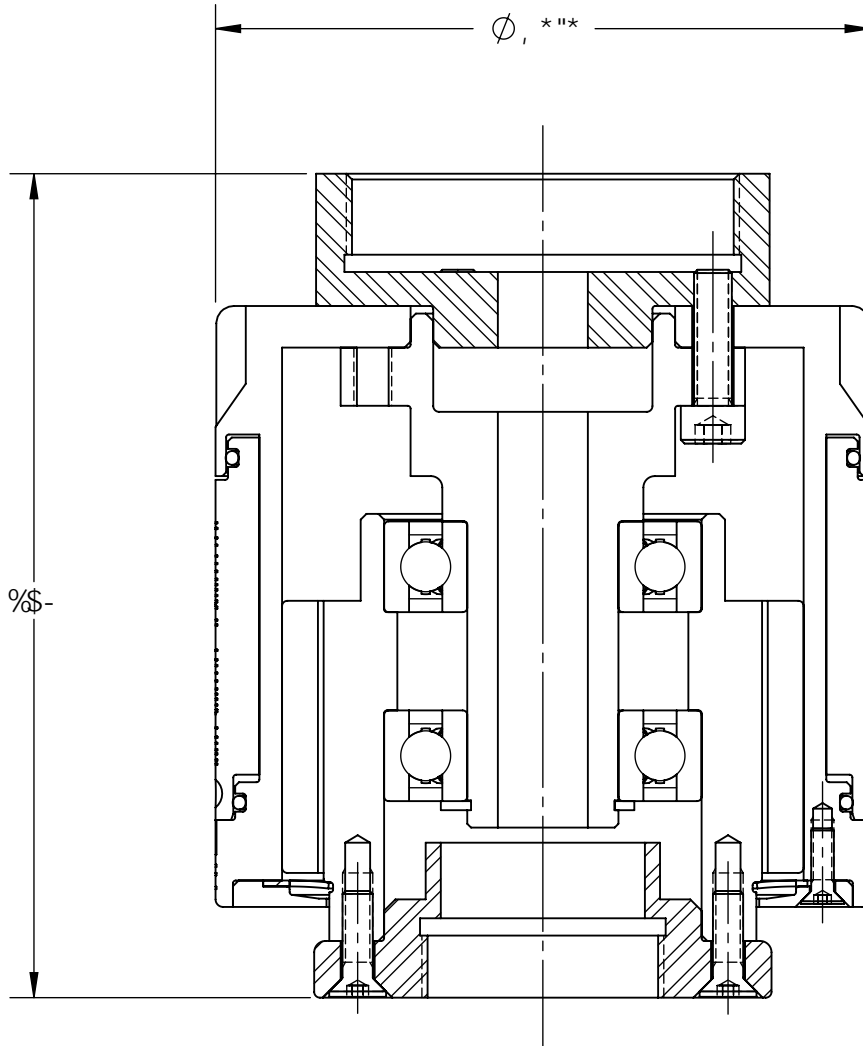
H c ' ' : f Y Y ; + + ! F A H 9 7 ' f] + + ! (+ ! * , ' & L
H ' * * ' \$ * * & , " \$ \$ ' * ' ' : " * * ' \$ * * & , " \$ \$ (%

RIMTEC EQTRQTCVKQP
,, , E q 0 & [] [| a e } B [{

D U [Y ' -

F 77 , * * ! ' A 5 ; B 9 H = 7 ' 7 5 D D = B ; ' 7 @ H 7 <

8 C 7 " F 7 7 , * * ! \$, \$ % \$ '



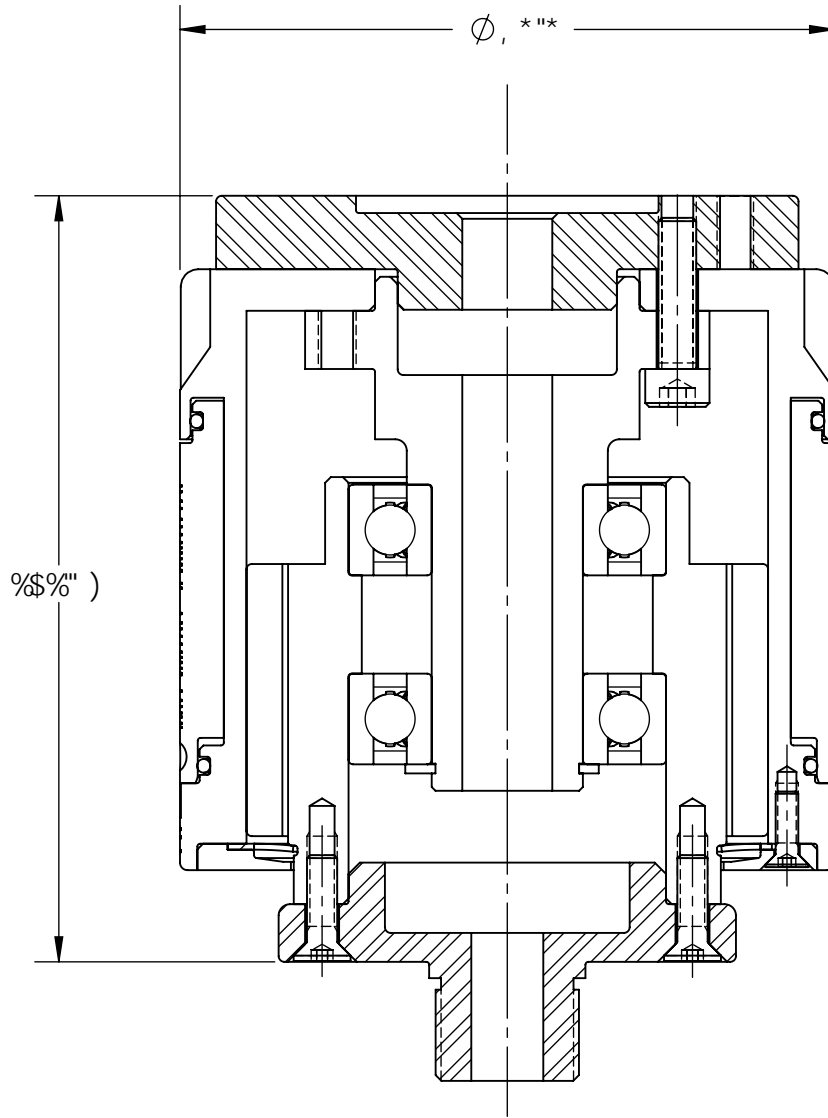
7 C B : ÷ I F 5 H C B "

& % G @ a V U f X ' F c U X Z 5 X X] c b ž @ * \$ % \$ % ž I G 5
9 ! a U] . \ Y ' d 4 F] a H W 7 c f d c f U h c b " W c a

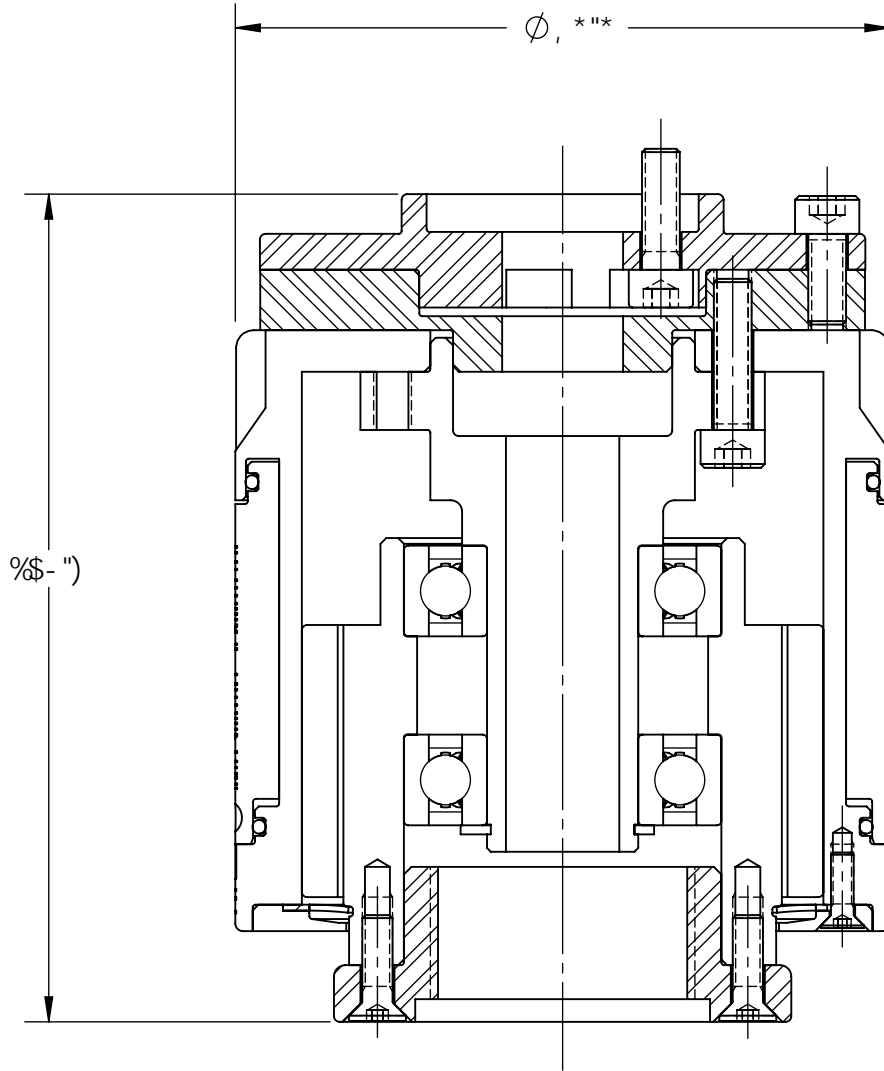
H c " : f Y Y ; + + ! F A H 9 7 ' f] + + ! (+ ! * , ' & L
H " * ' \$ " * & , " \$ \$ ' * " : " * ' \$ " * & , " \$ \$ (%

RIMTEC EQTRQTCVKQP
,, , Éá ç&&| | | | } | {

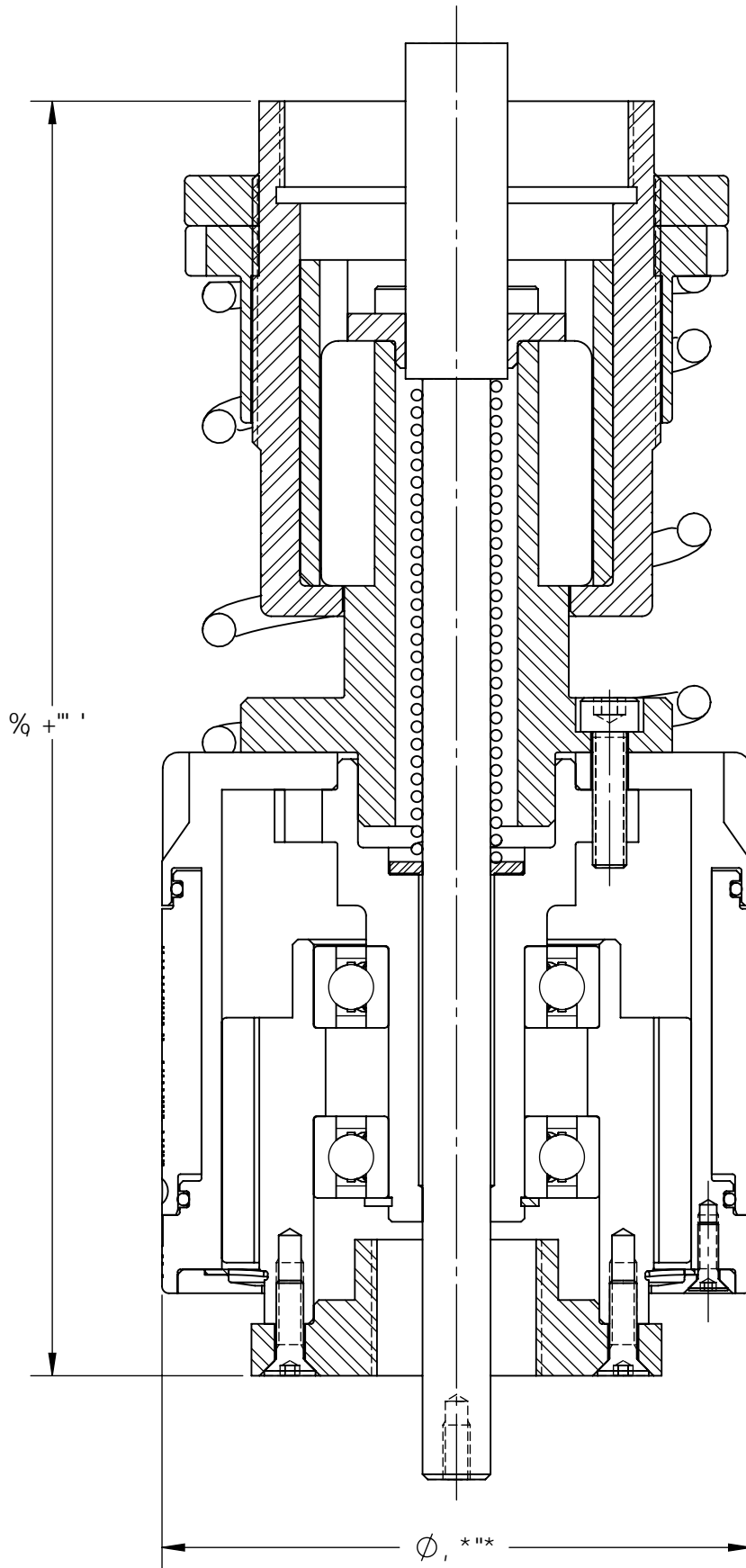
D U [Y ' % \$



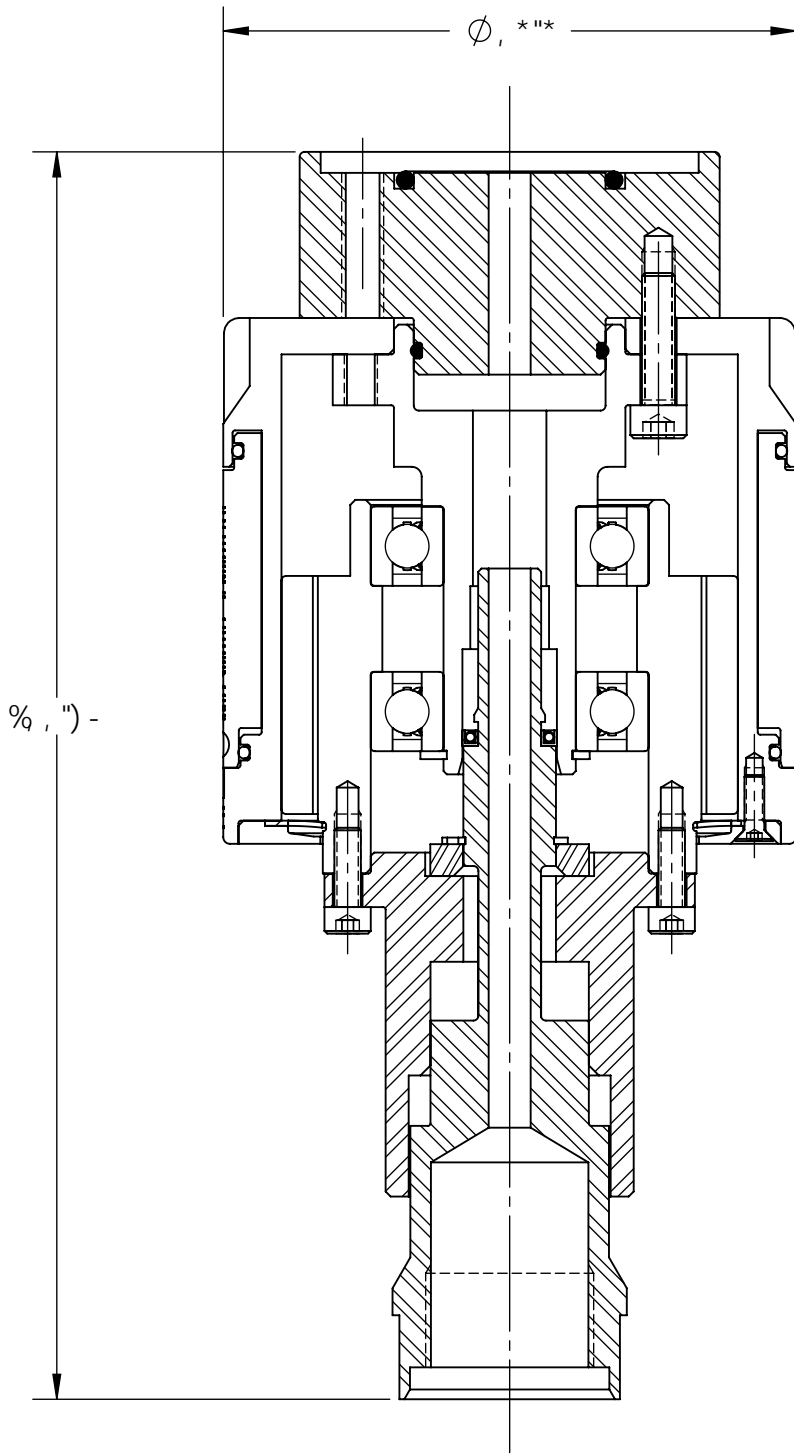
7CB: ÷ I F5HCB(



7 C B : ÷ I F 5 H C B)



7CB: = I F5HCB *



7CB: 7 I F5HCB +

