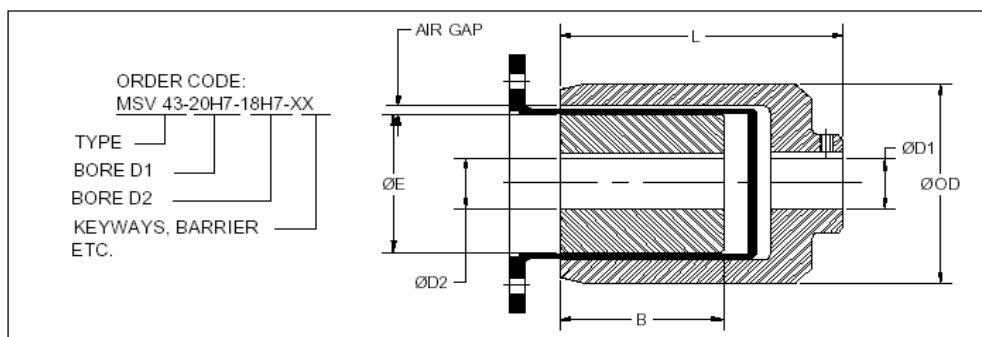


# MSV SERIES CYLINDRICAL TYPE PERMANENT - MAGNET SYNCHRONOUS COUPLING



Type	Tested Nm	Product Number <sup>1)</sup>	Outer Size= OD x L	Max Bore D1 (mm)	Inner/C C= Cover E x B	Max Bore D2 (mm)	Air Gap a (mm)	Magnets S or N
MSV 1	1	27-001-011210	45 x 34	16	19 x 22/C	8	2.5	SmCo
MSV8	8.5		81 x 89	25	54 x 42	20	3.5	SmCo
MSV10	18	27-010-051017	64 x 84	20	33 x 57/C	20	4	Neo
MSV15	18	27-015-031114	65 x 86	25	56 x 56	20	4	SmCo
MSV22	23		127 x 108	35	93 x 53	20	4.1	SmCo
MSV23	21	27-023-010925	137 x 98	24	66 x 74/C	24	3.4	SmCo
MSV23	21	27-023-050315	115 x 98	25	44 x 67/C	24	3.33	SmCo
MSV37	50	27-037-040527	110 x 127	35	57 x 93/C	35	4.5	Neo
MSV43	41	27-043-010905	137 x 98	24	66 x 74/C	24	3.4	SmCo
MSV57	54	27-057-041021	125 x 127	35	84 x 92/C	35	4.3	Neo
MSV82	89	27-082-010905	132 x 140	35	65 x 116/C	35	4.1	SmCo
MSV100	103		150 x 135	42	107 x 70	25	4.6	SmCo
MSV200	196	27-200-010904	207 x 153	38	107 x 117/C	38	3.9	SmCo

- 1) For updated drawing consult factory.
- 2) Standard units with NeO magnets good up to 150 ° C (300 degrees F)
- 3) High temperature with SmCo magnets and special epoxy to operate at 300 ° C or 570 degrees F available.

## Elimination of Mechanical Seals

No Maintenance

Stainless-steel version available with hermetic sealing

No touching/wearing parts

Custom sizes and designs available

## Applications

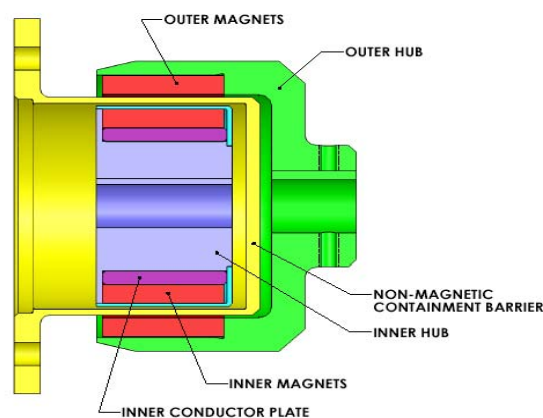
Chemical and Process Pumps

Underwater

Bulk Mixers

Refrigeration Compressor

Quick Connect/Disconnect



RIMTEC MSV TYPE MAGNETIC COUPLING